

© Product installation and operation guide



## TYPE A RCBO



LIVE ELECTRICAL DISTRIBUTION UK LTD

4 Queensmead Place, Textilose Road, Manchester, M17 1PH  
Tel: 0161 8702592 Web: [www.liveelectrical.co.uk](http://www.liveelectrical.co.uk)  
E-mail: [sales@liveelectrical.co.uk](mailto:sales@liveelectrical.co.uk)



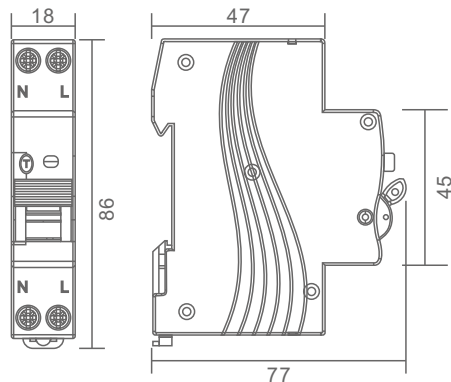
Ensure that these instructions are made available to the end user for future reference.

## TYPE A RCBO

### Features

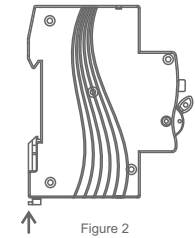
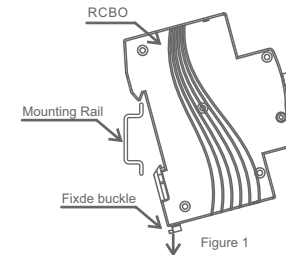
- Rated current  $I_n(A)$ :6,10,16,20,25,32,40.
- Rated voltage  $U_n$ : 240VAC.
- Poles:2P.
- Tripping curve:B,C.
- Residual current operating characteristic:TypeA.
- Rated frequency:50/60 Hz.
- Rated short-circuit breaking capacity  $I_{nc}$ :6 kA.
- Operating temperature:-25~+40°C.
- Contact position degree:IP20.
- Rated residual operating current  $I_{An}(mA)$ :10,30,100,300mA.
- Complies with BS EN61009-1.
- Bidirectional.
- Terminal capacity:10mm<sup>2</sup>.
- Type A.

### Product Dimension

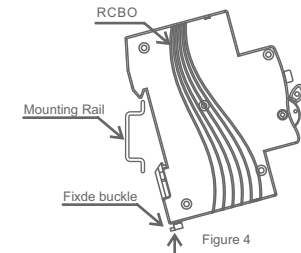
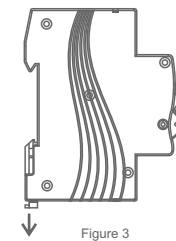


### Installation

1. The RCBO is installed in the distribution box, distribution cabinet or box using the TH35-7.5 steel mounting rail.
2. Generally, the RCBO should be installed vertically, with the handle facing upward to power on
3. There should be no significant impact and vibration at the installation place
4. Connection method: Tighten the connection with screws
5. The external magnetic field of the installation site shall not exceed 5 times of the earth magnetic field in any direction
6. Installation and disassembly:



a. Installation: Pull the fixed buckle of the RCBO down in the direction of arrow 1 according to Figure 1, and then put the RCBO in align the rail with the upper end of the installation guide rail (see Figure 1), and ensure that the bottom of the RCBO is fully aligned with the installation guide rail. After that (see Figure 2), push the fixed buckle of the RCBO into the lower end of the installation guide rail according to the arrow direction in Figure 2 to release it.



b. Disassemble: Pull the fixed buckle of the RCBO down in the arrow direction as shown in Figure 3, and then pull the RCBO as shown in Figure 4. The lower end of the RCBO is lifted up and pushed upward, then the RCBO can be removed.